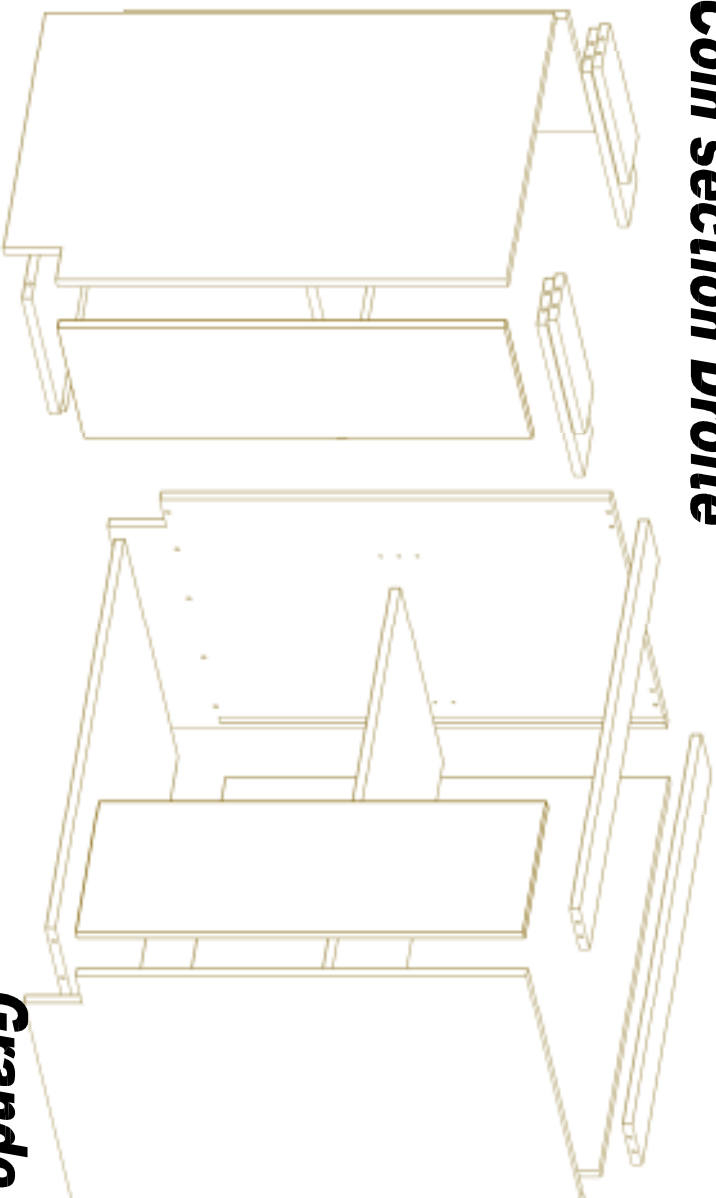
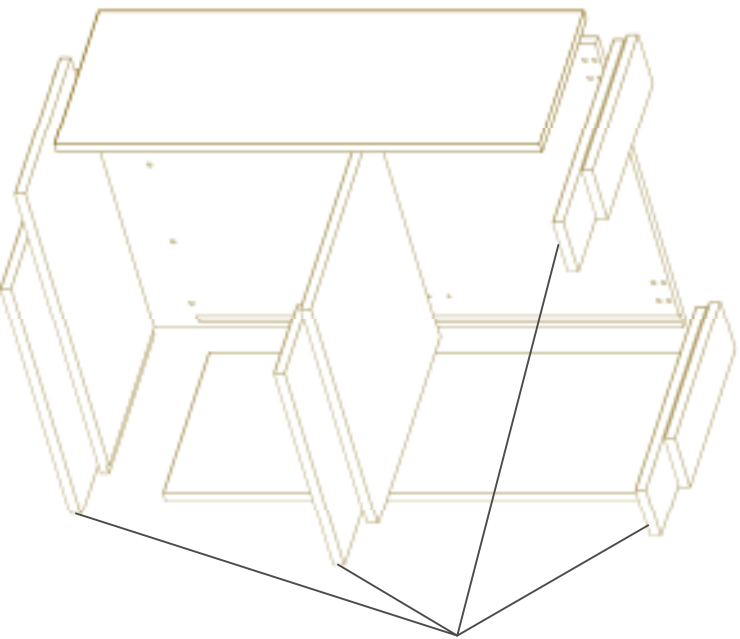


Caisson de Coin section Droite



Grande Section

Petite Section



Pièce de Soutien



MARKER	MATERIAL DESCRIPTION

Project Title:
Project Number:
Project Address:
Project Phone:
Project E-Mail:
Contractor:
Sheet Title:

Project Fax:

REVISIONS:

No.	Date	By	Description

Scale

Date Issued

Sheet Number